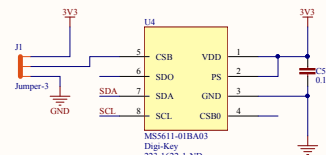
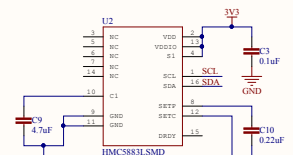


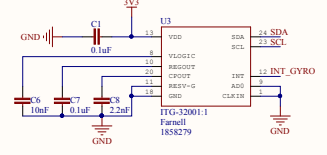
Change the position of jumper to change I2C address:
0x90 for write, 0x91 for read, if ADD0=GND



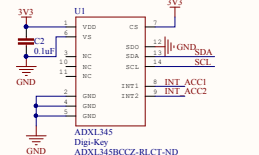
0x8E for write, 0x8F for read, if CSB=0



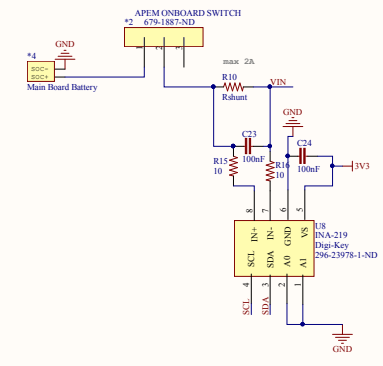
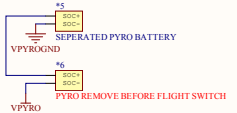
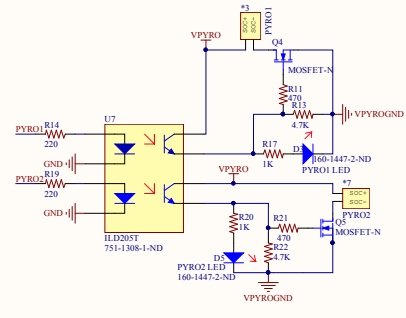
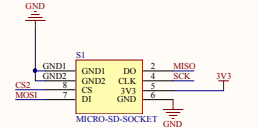
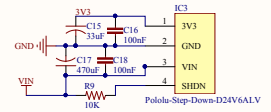
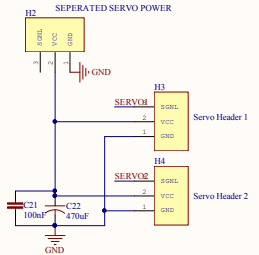
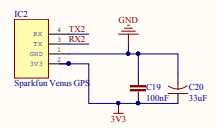
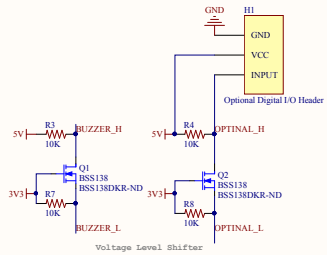
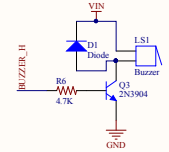
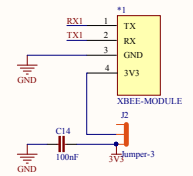
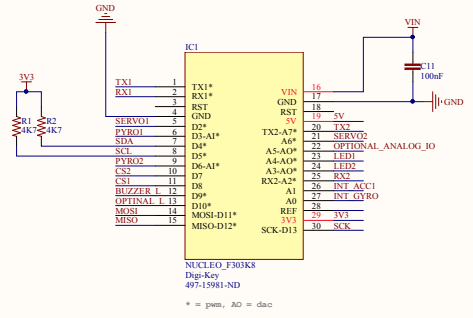
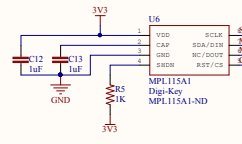
0x3C for write, 0x3D for read



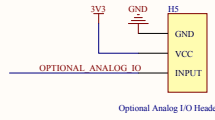
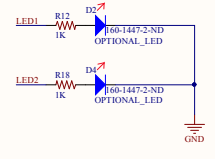
0x0D for write, 0x0E for read if ADD0 = GND



0xA6 for write, 0xA7 for read if SDO=GND



0x80 for write, 0x81 for read, if A1=GND
0x82 for write, 0x83 for read, if A1=V3



Title			ITU ROCKET TEAM MAIN BOARD
Size	Number	Revision	
A2		1.1	
Date:	02.02.2016	Sheet of	
File:	C:\Users\ITU Rocket Team\Desktop\	Drawn By:	Emre Erbuca